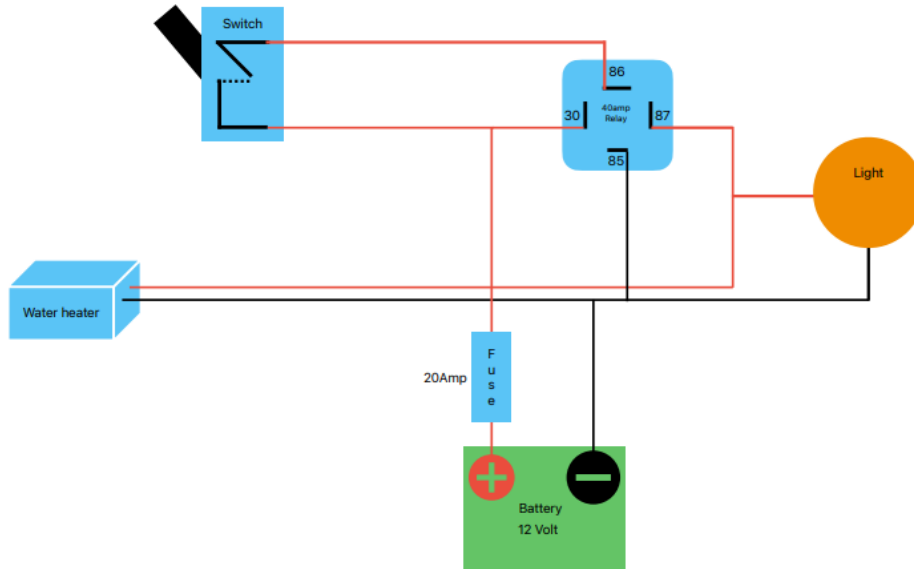


## Handy Wiring Guidelines for the 12 V Water Heaters

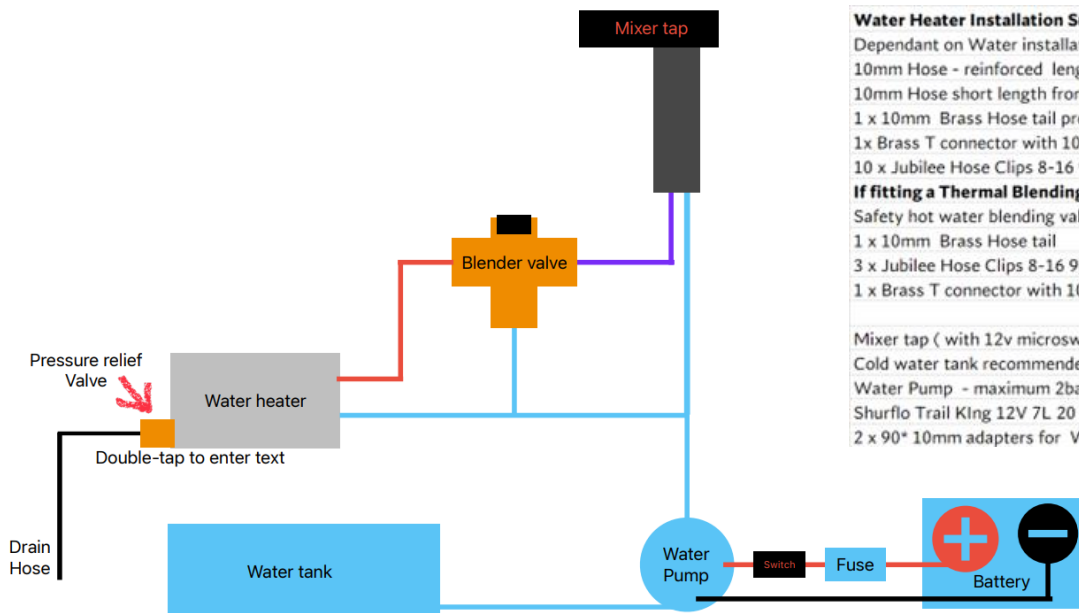
Installation of an LED light is optional, you might alternatively chose to install an illuminated switch



- 12V Installation - Suggested requirements**
- Twin Core Multistrand Cable 21amp (2.5mm square or 4mm diameter)
  - Length to suit your installation - Approx 6 metres
  - 1 Switching Relay 40 amp 12v relay
  - Terminals
  - 2 x male 2 x female heater,
  - 4 x female to relay,
  - 1 x female/male piggy back to relay,
  - 1 x male 1 x female fuse,
  - 3 x blue female to switch
  - Total 10 female, 2 males1 piggy back
  - 2 negative 2 positive Ring terminal to battery
  - 20 amp Fuse and Fuse holder
  - Switch with indicator light
  - Optional LED Light ?

## Handy Plumbing Guidelines for the Water heaters

Use and installation of the Blender valve is optional, however we strongly recommend it if you have any concerns about hot water safety. It is essential to use one when installing the Air Combi units as the maximum water temperature is not automatically controlled.



Water Heater Installation Suggested Requirements	
Dependant on Water installation you have already!	
10mm Hose - reinforced length as required	WHS710
10mm Hose short length from pressure release valve	WHS 710
1 x 10mm Brass Hose tail pressure release valve	WHS 75723
1x Brass T connector with 10mm hose tail	WHS75725
10 x Jubilee Hose Clips 8-16 9mm	WHS 75724
<b>If fitting a Thermal Blending valve</b>	
Safety hot water blending valve	WHS 75659
1 x 10mm Brass Hose tail	WHS 75723
3 x Jubilee Hose Clips 8-16 9mm	WHS 75724
1 x Brass T connector with 10mm hose tail	WHS75725
Mixer tap ( with 12v microswitch)	
Cold water tank recommended 20L or more!	
Water Pump - maximum 2bar 30 PSI	
Shurflo Trail King 12V 7L 20 PSI Pump	WHS 26500
2 x 90° 10mm adapters for Water Pump	WHS 509930